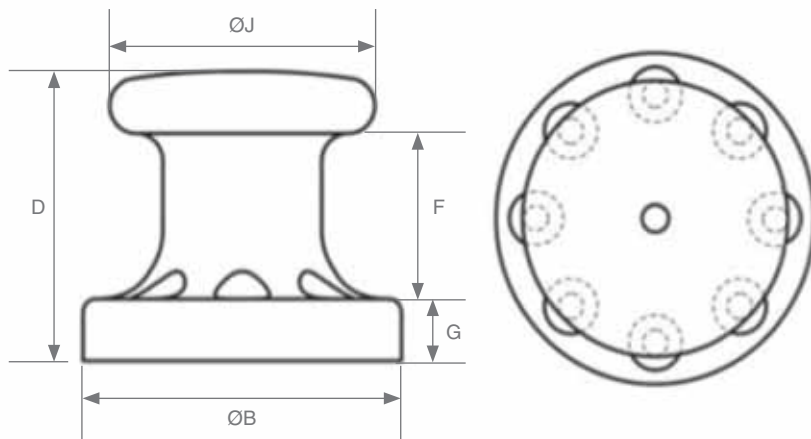


Deck Fittings and Wharf Furniture

Y-Type Pillar Bollard



Metric Tonne	Type No.	Base	Dimensions mm						Bolts	
			A	B	D	F	G	J	No.	Dia.
10	Y2-F	SQR	204	300	350	248	57	280	4	24
15	Y4-F	SQR	229	381	368	254	51	356	4	24
30	Y9-F	RND	254	559	426	254	83	432	5	30
50	Y10-F	RND	305	610	533	305	114	508	8	30
75	Y75-F	RND	457	914	864	648	102	610	8	36
100	Y1-F	RND	559	1067	762	510	102	813	8	45
150	Y150-F	RND	559	1067	762	510	102	813	8	48