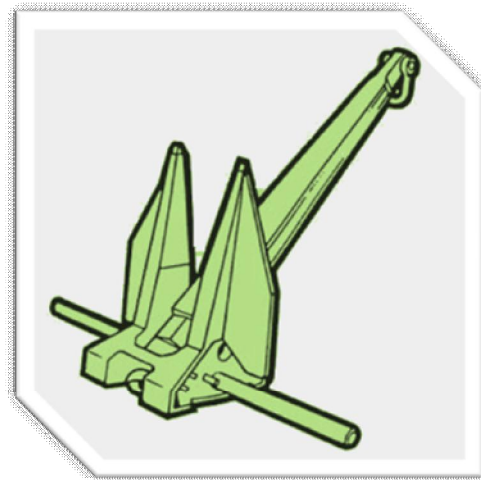
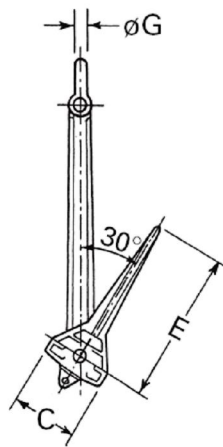
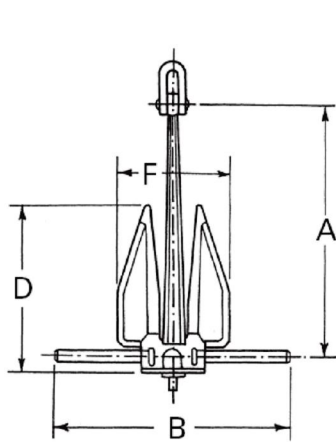




## DANFORTH



Code	Anchor Weight (kgs)	A (mm)	B (mm)	C (mm)	D (mm)	E (mm)	F (mm)	ØG (mm)
	300	1420	1240	280	935	870	590	30
	500	1600	1380	320	1050	970	660	35
	750	1720	1480	370	1129	1040	720	40
	1000	1830	1580	410	1206	1110	760	45
	2000	2110	1820	530	1391	1270	910	65
	3000	2390	2260	600	1641	1500	990	75
	4000	2640	2500	660	1815	1660	1050	75
	5000	2840	2700	710	1957	1790	1150	90
	6000	3000	2860	760	2060	1880	1210	100
	7000	3120	2960	790	2165	1970	1260	100
	8150	3280	3120	830	2270	2060	1320	100
	10,000	3510	3220	890	2435	2210	1420	115
	20,000	4360	4140	1110	2920	2620	1770	140
	30,000	5320	4760	1280	3390	3040	2040	160
	40,000	5590	5205	1410	3530	3330	2245	180

All dimensions are approximate.

**Head Office**  
 Phone: +61 (0)8 9418 7500  
 Fax: +61 (0)8 9418 7511  
 Email: info@jeyco.com.au