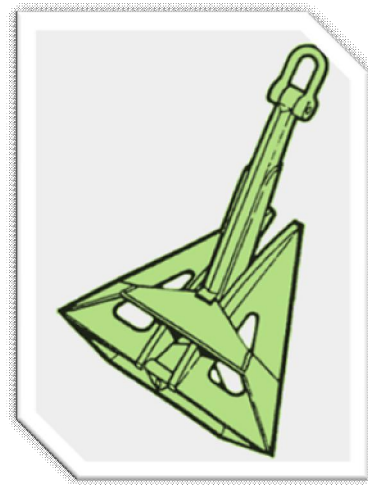
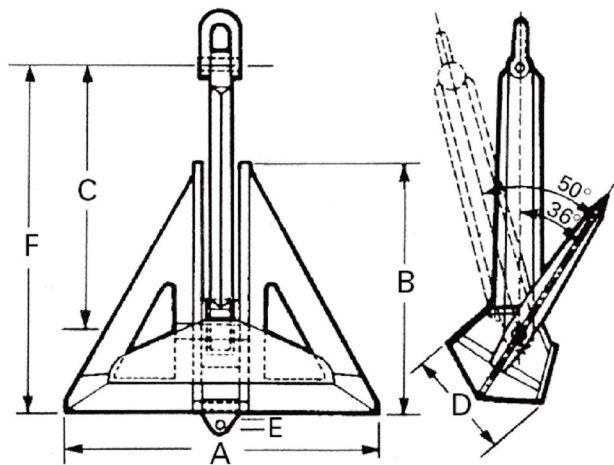




FLIPPER DELTA



Code	Anchor Weight (kgs)	A (mm)	B (mm)	C (mm)	D (mm)	E (mm)	F (mm)
	1000	1960	1560	1755	740	45	2604
	1500	2250	1800	2025	840	45	2660
	2000	2470	2000	2250	930	50	2960
	2500	2660	2130	2395	1005	52	3150
	3000	2830	2285	2565	1070	55	3380
	4000	3180	2560	2880	1190	65	3790
	5000	3300	2660	2995	1260	75	3945
	7000	3750	2995	3365	1405	78	4440
	10,000	4270	3400	3825	1600	85	5040
	13,500	4670	3730	4195	1765	90	5535
	15,000	4845	3875	4355	1830	90	5735
	22,500	5490	4360	4905	2060	105	6470
	40,000	6650	5290	5945	2480	120	7850

All dimensions are approximate.

Head Office
 Phone: +61 (0)8 9418 7500
 Fax: +61 (0)8 9418 7511
 Email: info@jeyco.com.au