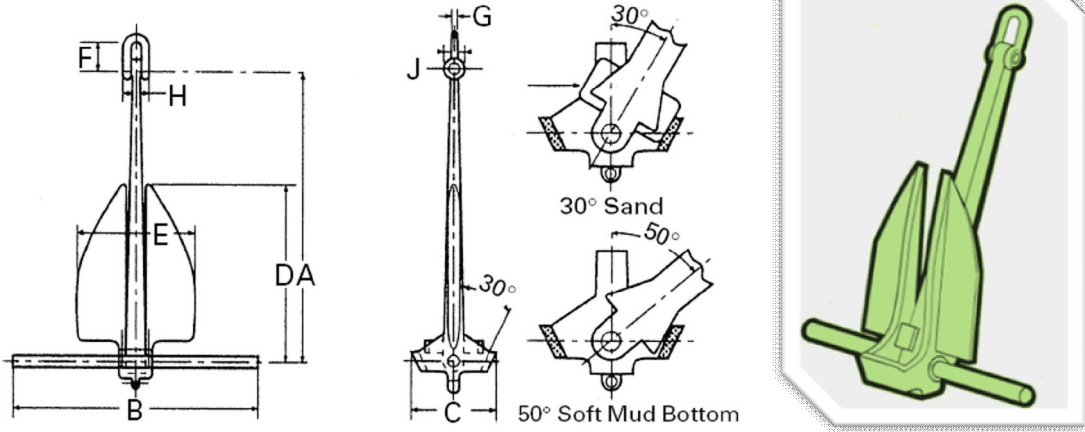




## LIGHTWEIGHT (LWT)



Anchor weight (lbs)	A (mm)	B (mm)	C (mm)	D (mm)	E (mm)	F (mm)	G (mm)	H (mm)	J (mm)
990	1619	1535	552	992	636	259	42	169	131
2000	2040	1933	606	1250	802	326	53	208	166
3000	2335	2213	797	1432	918	374	61	244	190
4000	2570	2436	877	1573	1010	411	67	269	208
5000	2768	2623	945	1696	1088	433	72	290	224
6000	2941	2788	1003	1802	1156	471	77	308	238
7000	3097	2935	1057	1809	1217	495	81	324	251
8150	3238	3069	1104	1983	1273	518	85	338	262
10,000	3488	3306	1190	2173	1371	558	91	365	284
15,000	3993	3784	1362	2446	1569	639	104	418	324
20,000	4394	4166	1498	2692	1727	703	115	460	357
30,000	5030	4768	1716	3082	1977	805	131	526	408
40,000	5536	5248	1887	3392	2276	886	145	579	450
45,000	5759	5459	1965	3528	2264	921	150	603	467

All dimensions are approximate.

**Head Office**  
 Phone: +61 (0)8 9418 7500  
 Fax: +61 (0)8 9418 7511  
 Email: info@jeyco.com.au