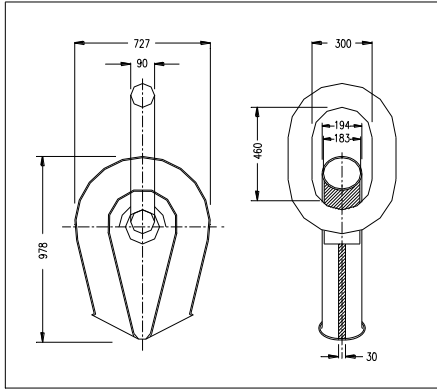
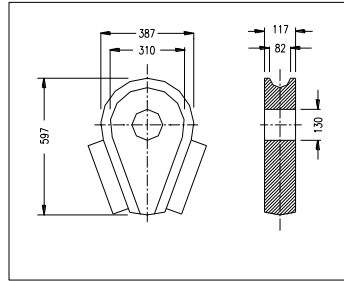


ITEM 3 - 18" TUBULAR THIMBLE WITH LINK



ITEM 4 - 24" SOLID THIMBLE

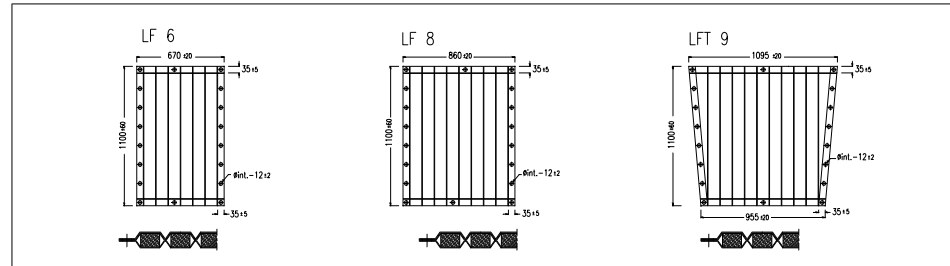


Notes :

10	-	EYE WITH HMPE CLOTH PROTECTION	-
9	-	EYE WITH POLYESTER SHEATH MATERIAL TO GIVE LOCAL DIAMETER OF 100mm	-
8	-	EYE WITH COMBIWEB AND POLYURETHANE	-
7	-	EYE WITH COMBIWEB WITH DOUBLE PU COATED	-
6C	2	6 POCKETS LACE ON FLOAT	LF 6
6B	4	9 POCKETS TAPERED LACE ON FLOAT	LFT 9
6A	13	8 POCKETS LACE ON FLOAT	LF 8
5	15	SEIZINGS	-
4	1	SOLID THIMBLE WITH 1/2 TUBES	24"
3	-	TUBULAR THIMBLE WITH LINK	18"
2	1	12X12 PLASMA Ø72 mm, LENGTH : 450mts	-
1	1	17" (Ø136mm) QUINTAS DOUBLE BRAID SUPERHAWSER GROMMET	-

ITEM	QTY	DESCRIPTION	PART CODE
------	-----	-------------	-----------

LACE ON FLOATS



Client : JULI SLINGS

Drawing : 72mm TOWLINE

Offer details : Checked by :

Drawing by : 08-036-001 Drawn by : TRH

Scale : N/A Checked by : ST



Date : 16/06/08