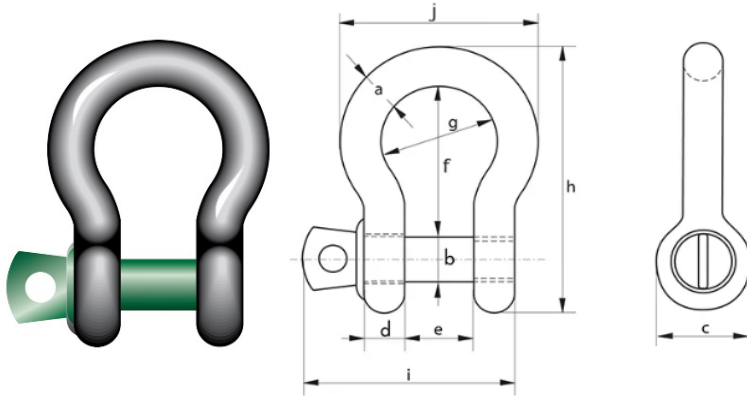


Green Pin Screw Pin Shackles SC: G-4161



Features

- Screw pin for quick (dis)assembly
- Material: Bow and pin high tensile steel, Grade 6, quenched and tempered
- Safety Factor: MBL equals 6 x WLL
- Finish: Hot dipped galvanized
- Temp Range: -40°C up to +200°C
- Conforms to wide range of certifications (e.g. DNV)

working load limit (ton)	diameter bow (mm)	diameter pin (mm)	diameter eye (mm)	width eye (mm)	width inside (mm)	length inside (mm)	width bow (mm)	length (mm)	length bolt (mm)	width (mm)	Net weight (kg)
	a	b	c	d	e	f	g	h	i	j	
0.33	5	6	12	5	9,5	22	16	36	29,5	26	0.02
0.5	7	8	16	7	12	29	20	48	38	34	0.05
0.75	9	10	20	9	13,5	32	22	56	46,5	40	0.1
1	10	11	23	10	17	37	26	64	54	46	0.14
1.5	11	13	25	11	19	43	29	73	59,5	51	0.19
2	13,5	16	34	13	22	51	32	90	73	59	0.36
3.25	16	19	40	16	27	64	43	110	89	75	0.63
4.75	19	22	46	19	31	76	51	129	103	89	1.01
6.5	22	25	52	22	36	83	58	144	119	102	1.5
8.5	25	28	59	25	43	95	68	164	137	118	2.21
9.5	28	32	67	28	47	108	75	186	153	131	3.16
12	32	35	73	32	51	115	83	201	170	147	4.31
13.5	35	38	79	35	57	133	92	227	186	162	5.58
17	38	42	88	38	60	146	99	249	203	175	7.43
25	45	50	104	45	74	178	126	300	243	216	12.5
35	50	57	112	50	83	197	138	332	272	238	17.2
42.5	57	65	132	57	95	222	160	378	310	274	26.3
55	65	70	145	65	105	260	180	433	344	310	37.6