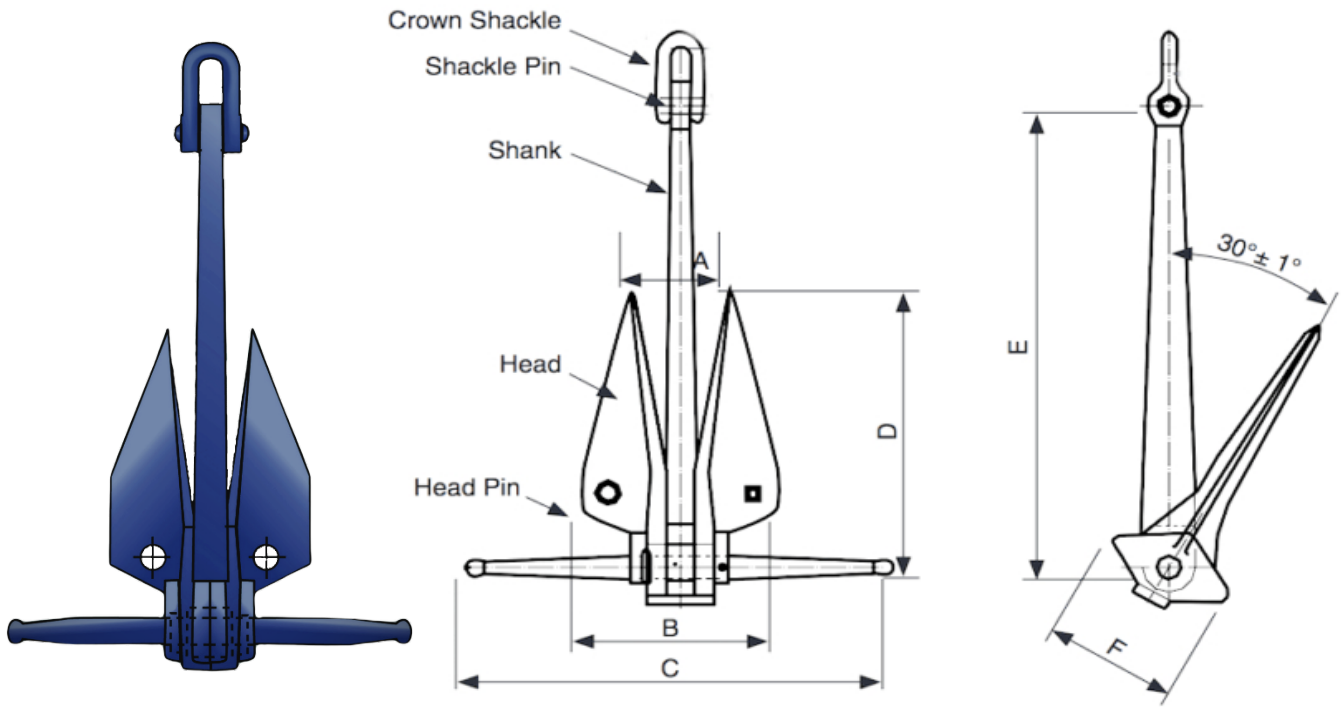


Danforth Anchor

The HHP Danforth anchor is a well-known high holding power anchor used in the offshore, dredging, and shipping industries. It features a high-strength steel shank, strong and wide flukes, and can be hot-dipped galvanized for added protection.

The anchor's lightweight and compact design allow for easy retrieval and storage, and features an adjustable shank/fluke angle to improve holding capability in various sea bottoms, including hard sand and soft mud.



Weight (KG)	Dimensions					
	A (MM)	B (MM)	C (MM)	D (MM)	E (MM)	F (MM)
20	130	280	540	370	690	170
25	135	300	580	400	740	185
30	148	330	620	430	790	200
40	160	360	680	470	860	230
50	172	390	720	510	940	235
60	186	408	755	535	985	240
75	200	450	830	590	1080	260
100	216	490	930	640	1180	290
120	220	505	970	670	1230	300
125	234	520	1000	690	1270	310
150	242	550	1060	732	1348	330
200	266	600	1150	810	1490	360
250	294	650	1240	870	1600	390
276	296	660	1250	885	1620	400
300	312	690	1320	925	1700	420
400	342	750	1460	1010	1810	460
750	414	910	1800	1260	2300	560
1250	484	1070	2100	1490	2740	670
1500	512	1120	2200	1580	2850	700
2500	605	1217	2628	1864	3070	830
3000	640	1290	2790	1980	3330	880
4000	700	1420	3070	2170	3590	970
5000	735	1482	3200	2270	3840	1020

Weight (KG)	Dimensions					
	A (MM)	B (MM)	C (MM)	D (MM)	E (MM)	F (MM)
6000	800	1620	3500	2480	4100	1100
7000	840	1696	3850	2590	4180	1150
8500	910	1936	3940	2600	4490	1240
10000	940	2000	4150	2900	4640	1280
20000	1190	2350	5175	3695	5880	1635
25000	1280	2530	5570	3982	6330	1760