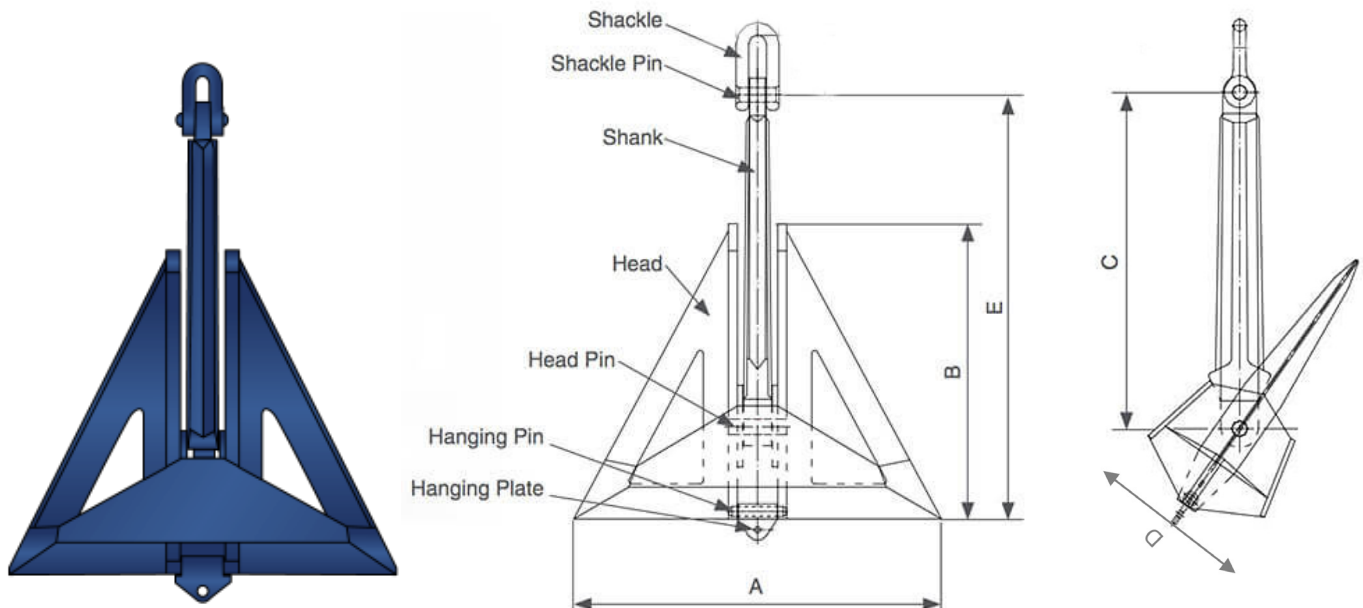


Delta Flipper Anchor

The Delta Flipper Anchor is a highly popular choice in offshore and dredging projects due to its convenient manoeuvrability and fast penetration in various soil types.

With its open design, it effortlessly enters different soil conditions. Made from durable high tensile steel and approved by all classifications, it ensures reliability and effectiveness in its use.



Weight (KG)	Dimensions				
	A (MM)	B (MM)	C (MM)	D (MM)	E (MM)
300	1200	960	1080	485	1380
500	1500	1200	1350	575	1725
750	1629	1303	1466	658	1873
1000	1875	1500	1613	714	2155
1080	1915	1530	1686	722	2200
1500	2052	1642	1847	829	2360
2000	2363	1890	2124	913	2598
2500	2433	1946	2190	983	2798
3000	2700	2160	2327	1045	2973
3500	2722	2177	2449	1100	3129
4000	2975	2380	2561	1150	3272
5000	3250	2600	2922	1238	3735
7000	3575	2860	3216	1360	4110
9000	3950	3160	3555	1504	4543
10000	4100	3280	3690	1561	4715
12000	4490	3575	4030	1695	5320
13500	4670	3720	4195	1765	5535
15000	4845	3875	4355	1830	5735
18000	5140	4080	4610	1940	6080
20000	5330	4260	4790	2010	6310
22500	5490	4360	4905	2060	6470
25000	5740	4590	5106	2165	6795