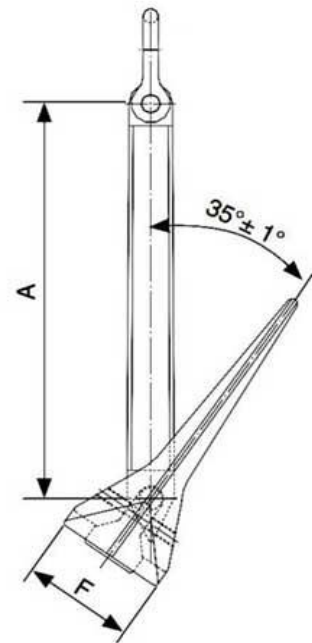
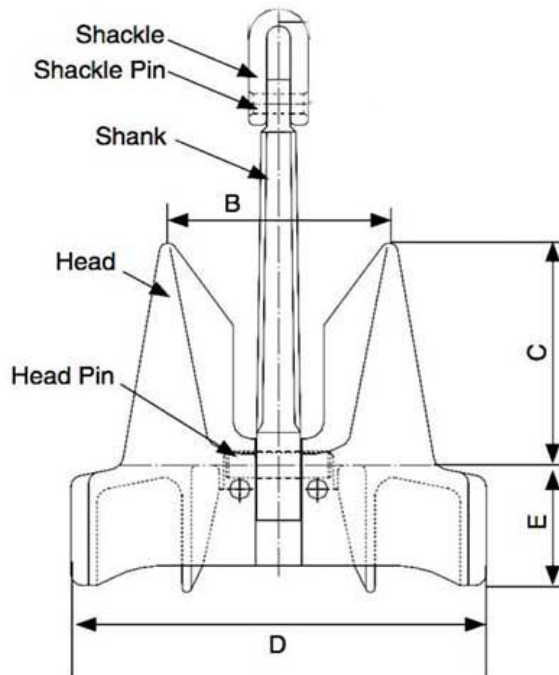
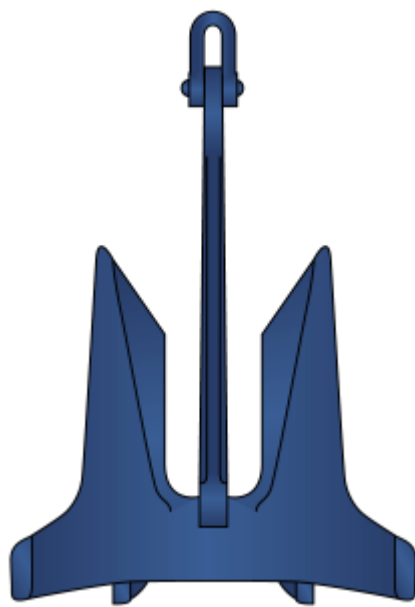


AC-14 HHP Anchor

AC-14 anchor is a stockless High Holding Power (HHP) anchor with a wide anchor crown, thick and long flukes, and longitudinal ribs. The AC-14 Anchor has the advantage of being 25% less in weight than a conventional stockless anchor.

The AC-14 Anchor is commonly used as the main anchor of large container ships, automobile carriers, and large oil tankers. Jeyco can supply the AC-14 HHP anchor in a black or galv finish and is certified by all major class authorities.



Weight (KG)	Dimensions					
	A (MM)	B (MM)	C (MM)	D (MM)	E (MM)	F (MM)
30	491	236	299	440	85	136
45	590	283	359	529	99	164
75	677	324	411	605	122	188
94	718	344	437	643	130	199
113	745	357	452	666	135	207
135	821	394	500	737	143	228
180	904	434	550	811	157	251
225	974	468	593	874	169	270
270	1035	497	630	929	180	287
315	1090	524	663	978	189	302
360	1139	547	694	1022	198	316
428	1194	574	727	1071	206	331
495	1251	602	762	1122	216	347
585	1360	654	828	1221	236	378
675	1398	672	851	1254	242	387
765	1483	698	885	1304	264	404
855	1520	729	925	1363	267	423
968	1590	764	968	1425	275	440
1080	1631	784	993	1462	282	451
1193	1660	798	1011	1490	287	465
1305	1761	846	1072	1580	305	488

Weight (KG)	Dimensions					
	A (MM)	B (MM)	C (MM)	D (MM)	E (MM)	F (MM)
1440	1795	862	1093	1610	311	497
1575	1855	892	1130	1665	321	514
1710	1900	913	1157	1705	329	526
1845	1940	933	1182	1741	336	538
1980	1977	950	1203	1774	342	548
2138	2016	969	1227	1809	349	559
2295	2089	1004	1272	1874	362	579
2475	2150	1033	1309	1929	373	596
2655	2201	1057	1340	1975	382	610
2835	2253	1083	1372	2022	390	624
3038	2302	1107	1402	2066	399	638
3240	2352	1130	1432	2110	407	652
3443	2400	1154	1462	2154	415	665
3668	2451	1178	1493	2200	424	680
3938	2510	1207	1529	2252	434	696
4208	2549	1234	1563	2303	444	711
4500	2624	1261	1598	2355	454	727
4838	2688	1292	1637	2412	465	745
5175	2749	1321	1674	2467	476	762
5513	2808	1350	1710	2520	486	778
5850	2864	1376	1744	2570	496	794