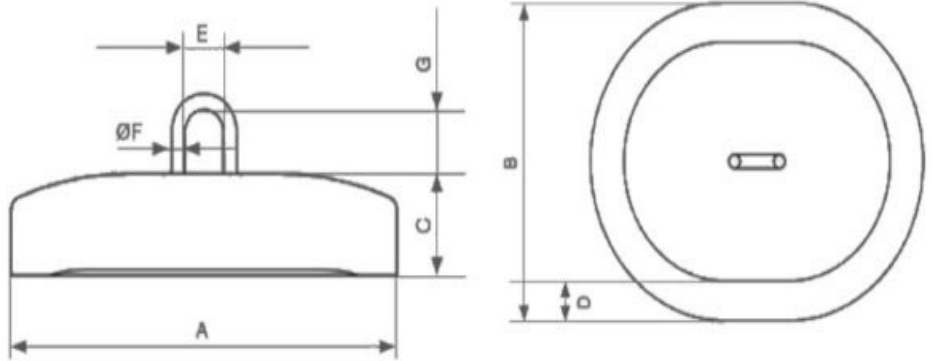


Clump Weight / Sinkers

High-quality Clump weight or Sinkers are used to weigh down chain or ropes, in order to keep the balance of the heavy object.

The oval cast iron sinkers are designed to ensure the safe deployment of mooring and navigation marks.



Weight (KG)	Dimensions						
	A (MM)	B (MM)	C (MM)	D (MM)	E (MM)	F (MM)	G (MM)
250	590	420	210	100	160	25	160
500	780	590	220	150	160	30	160
1000	1000	800	220	150	170	35	160
2000	1400	1000	280	150	170	64	210
3000	1600	1160	290	180	170	64	210
4000	1780	1360	290	190	170	70	260
5000	2000	1400	310	190	170	70	260
6000	2160	1500	320	190	170	80	260
10000	2580	1920	360	250	170	120	280