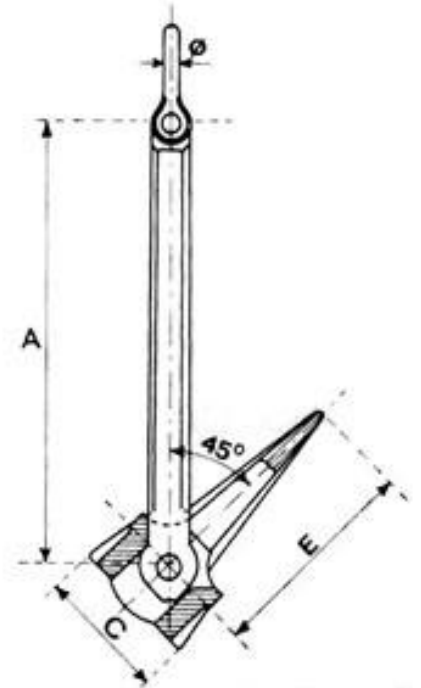
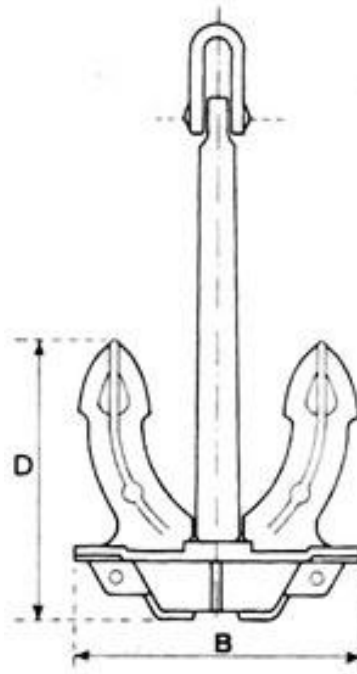
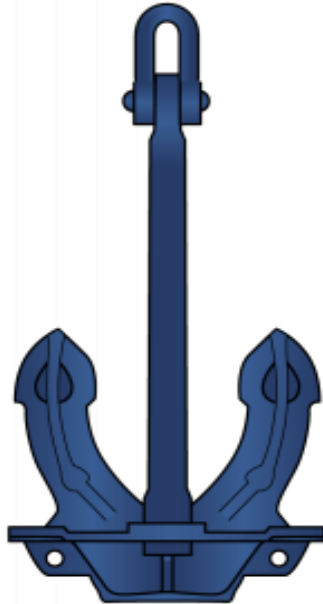


## Halls Stockless Anchor

The Hall anchor is the most commonly used conventional stockless anchor and it is one of the most popular anchors designed to fit anchor pockets on most ships. The Hall anchor is suitable for general use and perfect for sand and shale sea beds.

The Hall anchor is certified by all major class authorities and can be supplied in both pocketed and non-pocketed versions as required



Weight (KG)	Dimensions				
	A (MM)	B (MM)	C (MM)	D (MM)	E (MM)
50	575	410	184	378	300
75	660	480	210	429	340
100	723	510	230	474	375
125	780	550	245	511	405
150	835	580	264	544	430
180	888	625	281	578	454
200	915	645	290	594	470
225	950	670	300	622	493
240	985	694	312	644	510
275	1020	710	322	666	527
300	1050	738	330	685	543
325	1075	758	338	703	557
360	1100	778	346	719	570
400	1150	810	360	752	595
420	1175	826	368	767	607
450	1200	845	373	784	620
480	1220	860	380	797	630
500	1240	875	386	810	640
570	1280	904	400	837	660
600	1320	930	410	860	680
660	1360	955	420	887	700
700	1390	980	430	907	715
750	1425	1000	440	927	730
780	1450	1030	450	948	750

Weight (KG)	Dimensions				
	A (MM)	B (MM)	C (MM)	D (MM)	E (MM)
850	1480	1050	460	968	765
900	1490	1053	480	970	772
950	1520	1072	484	994	787
1020	1545	1090	496	1005	800
1140	1600	1126	512	1037	825
1200	1650	1165	530	1076	855
1290	1670	1180	535	1089	865
1350	1700	1205	550	1120	890
1440	1800	1245	555	1147	895
1590	1890	1260	565	1181	900
1740	1910	1290	582	1238	945
1920	1930	1362	616	1262	999
2100	2020	1407	623	1296	1020
2280	2040	1446	640	1332	1033
2460	2120	1483	667	1367	1076
2640	2170	1519	672	1400	1085
2850	2200	1540	700	1434	1140
3060	2261	1596	720	1480	1172
3300	2330	1636	734	1508	1180
3540	2335	1650	674	1528	1210
3780	2679	1844	733	1600	1295
4050	2466	1740	712	1613	1278
4320	2557	1790	763	1659	1290
4590	2784	1889	780	1709	1384