

Tri-Plate

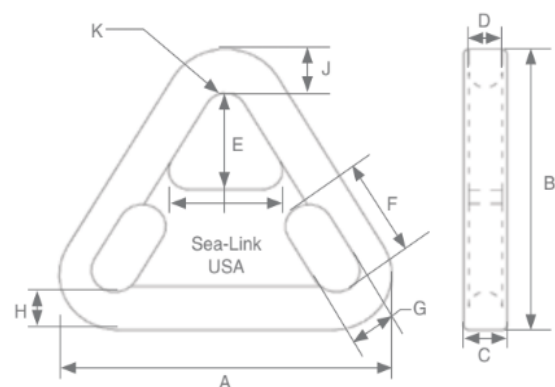
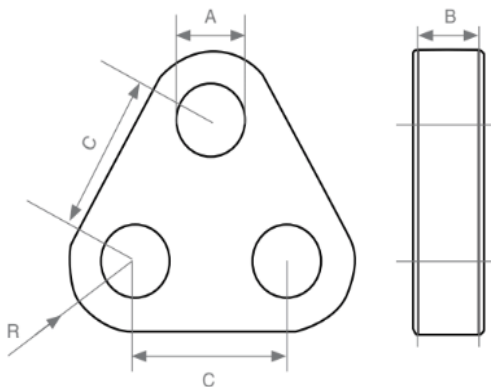
Tri-Plates are commonly used in tow and bridle applications in the marine industry. These are standard items or can be manufactured to meet specified load criteria. Jeyco stocks standard towing plates for marine use, but can provide custom Tri-Plates and Bifurcation Plates for any purpose such as moorings, lifting and towage.



Standard Tri-Plate



Towing Plate



Standard Tri-Plate

Part No.	WLL (ton)	MBL (ton)	A (mm)	B (mm)	C (mm)	R (mm)	Weight (kg)
75001700	17	85	47	35	120	65	10
75002500	25	125	55	40	150	80	18
75003500	35	175	60	50	160	90	28
75005500	55	275	75	70	210	105	58
75008500	85	425	90	80	230	135	96
75012000	120	600	105	100	280	170	188
7501500	150	750	115	110	320	185	256
75017500	175	875	115	110	320	195	274
75020000	200	1000	140	120	390	215	390
75025000	250	1250	150	140	390	240	518
75030000	300	1500	160	150	420	250	617
75040000	400	2000	185	200	490	300	1170
75050000	500	2500	200	200	550	360	1619
75060000	600	3000	220	200	600	400	1972

Tolerance: Forged parts ±5%, machined parts ±1mm

Towing Plate

Plate	Shackle Size	A (Inch)	B (Inch)	C (Inch)	D (Inch)	E (Inch)	F (Inch)	G (Inch)
NO. 1	1 1/2" to 2"	17 1/2	16	2 1/4	1 3/4	5 1/2	5 3/8	2
NO. 2	2 1/4" to 3"	22 1/2	23	3	2	7	7	3
NO. 3	3 1/2" to 4"	31	31	4	3	10	10	4

Plate	H (Inch)	I (Inch)	J (Inch)	K (Inch)	L (Inch)	M (Inch)	Weight (lbs)	Proof Load (lbs)
NO. 1	2 1/4	6	2 1/2	1	1/4	2 1/4	65	300,000
NO. 2	3 1/4	7	4	1 1/2	3/8	3	165	485,000
NO. 3	4 3/8	10	6	2	3/8	4	550	624,000

Dimensions and heights are subject to change.
 Dimensions are based on inches and pounds.
 All towing plates are supplied with a certificate of conformance and pull test certificates from the factory.

